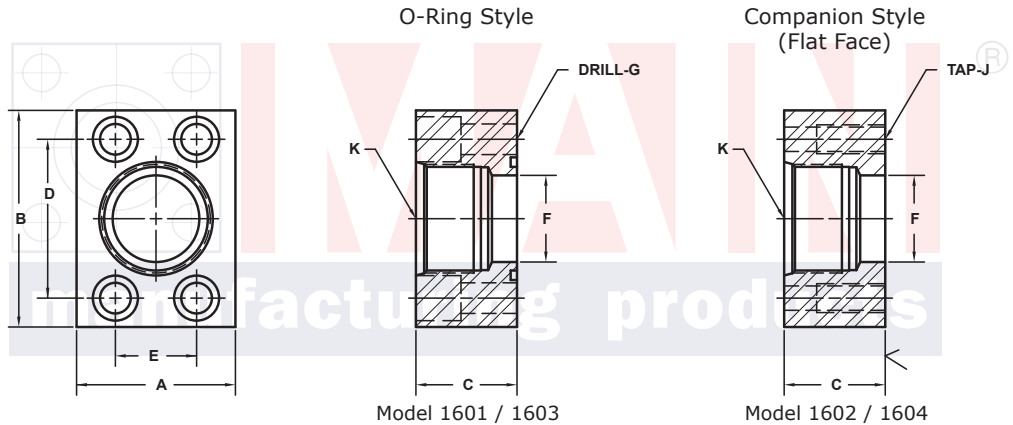
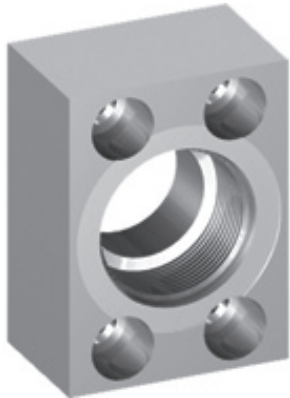


ISO 6149 THREADED IN-LINE FLANGES (Pg 1/2)

SAE BOLT PATTERN										61 SERIES				
FLANGE SIZE	PORT SIZE	PART NUMBER	A	B	C	D	E	F	G J	K	MOUNTING KIT®			WT
											PART NO.	SCREW SIZE	O-RING	
1/2	-4	1601-08-04	1.50	2.12	1.25	1.500	.688	.40	.34	M12x1.5	MK 501	5/16-18 x 1 1/4	210	1.0
		1602-08-04							5/16-18					
1/2	-6	1601-08-06	1.50	2.12	1.25	1.500	.688	.50	.34	M16x1.5	MK 501	5/16-18 x 1 1/4	210	1.0
		1602-08-06							5/16-18					
1/2	-8	1601-08-08	1.50	2.12	1.25	1.500	.688	.50	.34	M18x1.5	MK 501	5/16-18 x 1 1/4	210	.9
		1602-08-08							5/16-18					
3/4	-8	1601-12-08	1.75	2.62	1.50	1.875	.875	.62	.41	M18x1.5	MK 1525	3/8-16 x 1 1/2	214	1.6
		1602-12-08							3/8-16					
3/4	-10	1601-12-10	1.75	2.62	1.50	1.875	.875	.75	.41	M22x1.5	MK 1525	3/8-16 x 1 1/2	214	1.5
		1602-12-10							3/8-16					
3/4	-12	1601-12-12	1.75	2.62	1.50	1.875	.875	.75	.41	M27x2	MK 1525	3/8-16 x 1 1/2	214	1.4
		1602-12-12							3/8-16					
3/4	-16	-----	2.00	2.62	2.50	1.875	.875	.75	----	M33x2	-----	-----	---	3.0
		1602-12-16							3/8-16					
1	-8	1601-16-08	2.00	2.82	1.50	2.062	1.031	.62	.41	M18x1.5	MK 1542	3/8-16 x 1 1/2	219	1.9
		1602-16-08							3/8-16					
1	-12	1601-16-12	2.00	2.82	1.50	2.062	1.031	.94	.41	M27x2	MK 1542	3/8-16 x 1 1/2	219	1.8
		1602-16-12							3/8-16					
1	-16	1601-16-16	2.00	2.82	1.50	2.062	1.031	1.00	.41	M33x2	MK 1542	3/8-16 x 1 1/2	219	1.6
		1602-16-16							3/8-16					
1	-20	-----	2.50	3.00	3.00	2.062	1.031	1.00	----	M42x2	-----	-----	---	5.2
		1602-16-20							3/8-16					

MATERIAL:
Low Carbon Steel[®]



3181 TRI-PARK DR. GRAND BLANC, MI 48439 800-521-7918 810-953-1380 FAX 810-953-1385 INFO@MAINMFG.COM

SAE BOLT PATTERN										62 SERIES				
FLANGE SIZE	PORT SIZE	PART NUMBER	A	B	C	D	E	F	G J	K	MOUNTING KIT®			WT
											PART NO.	SCREW SIZE	O-RING	
1/2	-6	1603-08-06	1.75	2.22	1.25	1.594	.718	.50	.34	M16x1.5	MK 501	5/16-18 x 1 1/4	210	1.2
		1604-08-06							5/16-18					
1/2	-8	1603-08-08	1.75	2.22	1.25	1.594	.718	.50	.34	M18x1.5	MK 501	5/16-18 x 1 1/4	210	1.1
		1604-08-08							5/16-18					
3/4	-8	1603-12-08	2.00	2.81	1.50	2.000	.937	.62	.41	M18x1.5	MK 1525	3/8-16 x 1 1/2	214	2.0
		1604-12-08							3/8-16					
3/4	-10	1603-12-10	2.00	2.81	1.50	2.000	.937	.75	.41	M22x1.5	MK 1525	3/8-16 x 1 1/2	214	1.9
		1604-12-10							3/8-16					
3/4	-12	1603-12-12	2.00	2.81	1.50	2.000	.937	.75	.41	M27x2	MK 1525	3/8-16 x 1 1/2	214	1.8
		1604-12-12							3/8-16					
1	-8	1603-16-08	2.25	3.19	1.50	2.250	1.093	.62	.47	M18x1.5	MK 1529	7/16-14 x 1 1/2	219	2.5
		1604-16-08							7/16-14					
1	-12	1603-16-12	2.25	3.19	1.50	2.250	1.093	.94	.47	M27x2	MK 1529	7/16-14 x 1 1/2	219	2.4
		1604-16-12							7/16-14					
1	-16	1603-16-16	2.25	3.19	1.50	2.250	1.093	1.00	.47	M33x2	MK 1529	7/16-14 x 1 1/2	219	2.2
		1604-16-16							7/16-14					

① Order Separately

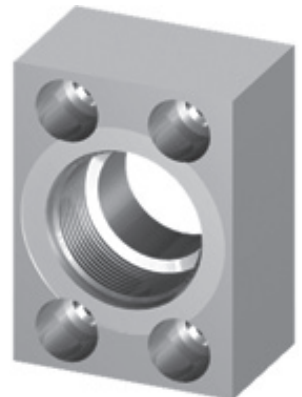
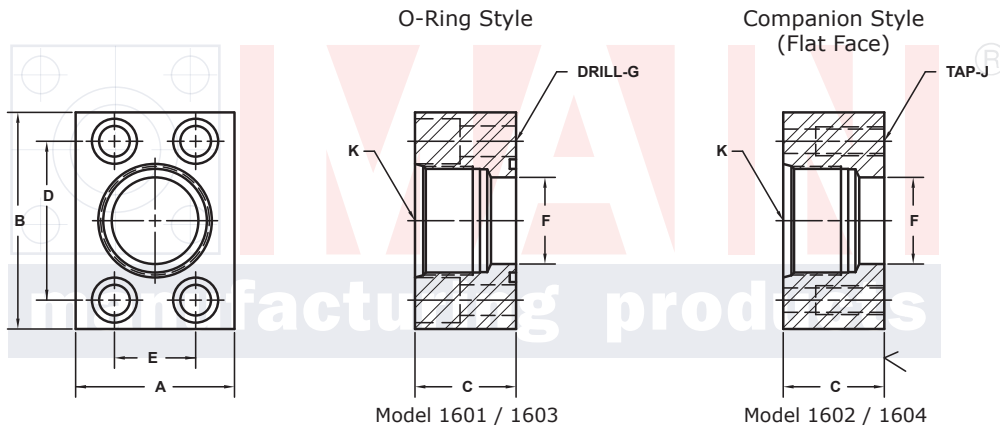
® May Contain Lead

NOTE: The Pressure Rating of the Assembly Should NOT Exceed the Lower of the Flange Pad or the Fitting. Check the Fitting Manufacturer for Details.

ISO 6149 THREADED IN-LINE FLANGES (Pg 2/2)

SAE BOLT PATTERN										61 SERIES				
FLANGE SIZE	PORT SIZE	PART NUMBER	A	B	C	D	E	F	G J	K	MOUNTING KIT®			WT
											PART NO.	SCREW SIZE	O-RING	
1¼	-16	1601-20-16	2.50	3.19	1.50	2.312	1.188	1.19	.47 7/16-14	M33x2	MK 1527	7/16-14 x 1 1/2	222	2.6
		1602-20-16									-----	-----	---	
1¼	-20	1601-20-20	2.50	3.19	1.50	2.312	1.188	1.25	.47 7/16-14	M42x2	MK 1527	7/16-14 x 1 1/2	222	2.3
		1602-20-20									-----	-----	---	
1¼	-24	-----	3.00	3.19	3.00	2.312	1.188	1.25	---- 7/16-14	M48x2	-----	-----	---	6.6
		1602-20-24									-----	-----	---	
1½	-20	1601-24-20	2.75	3.75	1.75	2.750	1.406	1.50	.53 1/2-13	M42x2	MK 1547	1/2-13 x 1 3/4	225	3.7
		1602-24-20									-----	-----	---	
1½	-24	1601-24-24	2.75	3.75	1.75	2.750	1.406	1.50	.53 1/2-13	M48x2	MK 1547	1/2-13 x 1 3/4	225	3.4
		1602-24-24									-----	-----	---	
1½	-32	-----	3.50	3.75	3.50	2.750	1.406	1.50	---- 1/2-13	M60x2	-----	-----	---	10.0
		1602-24-32									-----	-----	---	
2	-20	1601-32-20	3.25	4.00	1.75	3.062	1.688	1.50	.53 1/2-13	M42x2	MK 582	1/2-13 x 1 3/4	228	5.0
		1602-32-20									-----	-----	---	
2	-24	1601-32-24	3.25	4.00	1.75	3.062	1.688	1.75	.53 1/2-13	M48x2	MK 582	1/2-13 x 1 3/4	228	4.7
		1602-32-24									-----	-----	---	
2	-32	1601-32-32	3.25	4.00	1.75	3.062	1.688	1.94	.53 1/2-13	M60x2	MK 562	1/2-13 x 1 3/4	228	3.9
		1602-32-32									-----	-----	---	
2½ ②	-24	1601-40-24	4.00	4.50	1.75	3.500	2.000	1.75	.53 1/2-13	M48x2	MK 1528	1/2-13 x 1 3/4	232	7.2
		1602-40-24									-----	-----	---	
2½ ②	-32	1601-40-32	4.00	4.50	1.75	3.500	2.000	2.12	.53 1/2-13	M60x2	MK 1528	1/2-13 x 1 3/4	232	6.3
		1602-40-32									-----	-----	---	

MATERIAL:
Low Carbon Steel®



3181 TRI-PARK DR. GRAND BLANC, MI 48439 800-521-7918 810-953-1380 FAX 810-953-1385 INFO@MAINMFG.COM

SAE BOLT PATTERN										62 SERIES				
FLANGE SIZE	PORT SIZE	PART NUMBER	A	B	C	D	E	F	G J	K	MOUNTING KIT®			WT
											PART NO.	SCREW SIZE	O-RING	
1¼	-16	1603-20-16	3.00	3.75	1.50	2.625	1.250	1.19	.53 1/2-13	M33x2	MK 1523	1/2-13 x 1 1/2	222	4.0
		1604-20-16									-----	-----	---	
1¼	-20	1603-20-20	3.00	3.75	1.50	2.625	1.250	1.25	.53 1/2-13	M42x2	MK 1523	1/2-13 x 1 1/2	222	3.7
		1604-20-20									-----	-----	---	
1½	-16	1603-24-16	3.25	4.50	1.75	3.125	1.437	1.19	.66 5/8-11	M33x2	MK 1544	5/8-11 x 1 3/4	225	5.7
		1604-24-16									-----	-----	---	
1½	-20	1603-24-20	3.25	4.50	1.75	3.125	1.437	1.50	.66 5/8-11	M42x2	MK 1544	5/8-11 x 1 3/4	225	5.3
		1604-24-20									-----	-----	---	
1½	-24	1603-24-24	3.25	4.50	1.75	3.125	1.437	1.50	.66 5/8-11	M48x2	MK 1544	5/8-11 x 1 3/4	225	5.1
		1604-24-24									-----	-----	---	
2	-20	1603-32-20	4.00	5.25	1.75	3.812	1.750	1.50	.78 3/4-10	M42x2	MK 563	3/4-10 x 2	228	8.0
		1604-32-20									-----	-----	---	
2	-24	1603-32-24	4.00	5.25	1.75	3.812	1.750	1.75	.78 3/4-10	M48x2	MK 563	3/4-10 x 2	228	7.7
		1604-32-24									-----	-----	---	
2	-32	1603-32-32	4.00	5.25	1.75	3.812	1.750	1.94	.78 3/4-10	M60x2	MK 563	3/4-10 x 2	228	7.0
		1604-32-32									-----	-----	---	

① Order Separately

② 2500 PSI Max

⑤ May Contain Lead

NOTE: The Pressure Rating of the Assembly Should NOT Exceed the Lower of the Flange Pad or the Fitting. Check the Fitting Manufacturer for Details.