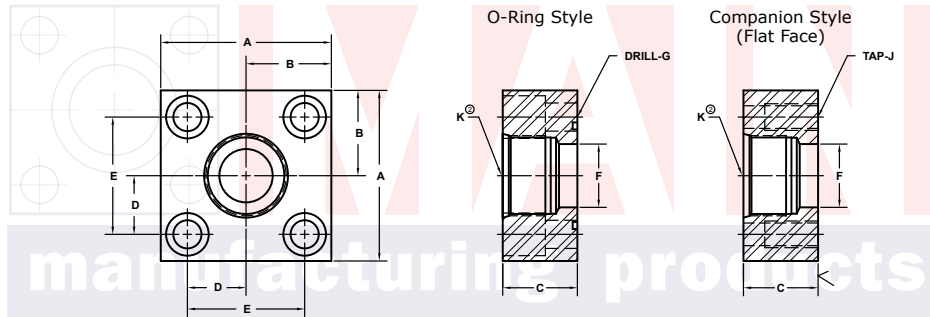
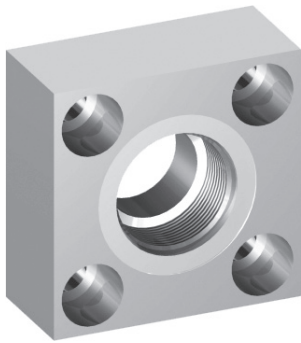


# SAE J1926 THREADED IN-LINE FLANGES

## 3000 SERIES SQUARE BOLT PATTERN

| FLANGE SIZE | ORB | PART NUMBER | A    | B    | C    | D     | E     | F    | G      | K         | MOUNTING KIT® |                |        | WT   |
|-------------|-----|-------------|------|------|------|-------|-------|------|--------|-----------|---------------|----------------|--------|------|
|             |     |             |      |      |      |       |       |      | J      |           | PART NO.      | SCREW SIZE     | O-RING |      |
| 1/2         | -6  | 1439-08-06  | 2.25 | 1.12 | 1.25 | .719  | 1.438 | .47  | .41    | 9/16-18   | MK 580        | 3/8-16 x 1 1/4 | 216    | 1.5  |
|             |     | 1440-08-06  |      |      |      |       |       |      | 3/8-16 |           | -----         |                |        |      |
| 1/2         | -8  | 1439-08-08  | 2.25 | 1.12 | 1.25 | .719  | 1.438 | .50  | .41    | 3/4-16    | MK 580        | 3/8-16 x 1 1/4 | 216    | 1.5  |
|             |     | 1440-08-08  |      |      |      |       |       |      | 3/8-16 |           | -----         |                |        |      |
| 3/4         | -10 | 1439-12-10  | 2.25 | 1.12 | 1.25 | .719  | 1.438 | .50  | .41    | 7/8-14    | MK 580        | 3/8-16 x 1 1/4 | 216    | 1.4  |
|             |     | 1440-12-10  |      |      |      |       |       |      | 3/8-16 |           | -----         |                |        |      |
| 3/4         | -12 | 1439-12-12  | 2.25 | 1.12 | 1.50 | .719  | 1.438 | .75  | .41    | 1 1/16-12 | MK 1522       | 3/8-16 x 1 1/2 | 216    | 1.4  |
|             |     | 1440-12-12  |      |      |      |       |       |      | 3/8-16 |           | -----         |                |        |      |
| 1           | -14 | 1439-16-14  | 3.00 | 1.50 | 1.50 | 1.000 | 2.000 | .75  | .53    | 1 3/16-12 | MK 1523       | 1/2-13 x 1 1/2 | 222    | 2.8  |
|             |     | 1440-16-14  |      |      |      |       |       |      | 1/2-13 |           | -----         |                |        |      |
| 1           | -16 | 1439-16-16  | 3.00 | 1.50 | 1.50 | 1.000 | 2.000 | 1.00 | .53    | 1 5/16-12 | MK 1523       | 1/2-13 x 1 1/2 | 222    | 2.7  |
|             |     | 1440-16-16  |      |      |      |       |       |      | 1/2-13 |           | -----         |                |        |      |
| 1 1/4       | -20 | 1439-20-20  | 3.00 | 1.50 | 1.50 | 1.000 | 2.000 | 1.25 | .53    | 1 5/8-12  | MK 1523       | 1/2-13 x 1 1/2 | 222    | 2.5  |
|             |     | 1440-20-20  |      |      |      |       |       |      | 1/2-13 |           | -----         |                |        |      |
| 1 1/2       | -20 | 1439-24-20  | 4.00 | 2.00 | 1.75 | 1.375 | 2.750 | 1.50 | .66    | 1 5/8-12  | MK 1524       | 5/8-11 x 1 3/4 | 228    | 6.0  |
|             |     | 1440-24-20  |      |      |      |       |       |      | 5/8-11 |           | -----         |                |        |      |
| 1 1/2       | -24 | 1439-24-24  | 4.00 | 2.00 | 1.75 | 1.375 | 2.750 | 1.50 | .66    | 1 7/8-12  | MK 1524       | 5/8-11 x 1 3/4 | 228    | 5.7  |
|             |     | 1440-24-24  |      |      |      |       |       |      | 5/8-11 |           | -----         |                |        |      |
| 2           | -32 | 1439-32-32  | 4.00 | 2.00 | 1.75 | 1.375 | 2.750 | 1.94 | .66    | 2 1/2-12  | MK 1524       | 5/8-11 x 1 3/4 | 228    | 4.8  |
|             |     | 1440-32-32  |      |      |      |       |       |      | 5/8-11 |           | -----         |                |        |      |
| 2 1/2       | -32 | 1439-40-32  | 5.50 | 2.75 | 2.25 | 1.875 | 3.750 | 2.32 | .94    | 2 1/2-12  | MK 1519       | 7/8-9 x 2 1/2  | 236    | 13.3 |
|             |     | 1440-40-32  |      |      |      |       |       |      | 7/8-9  |           | -----         |                |        |      |



MATERIAL: **Low Carbon Steel**®

Model 1439 / 1441

Model 1440 / 1442

3181 TRI-PARK DR. GRAND BLANC, MI 48439 800-521-7918 810-953-1380 FAX 810-953-1385 INFO@MAINMFG.COM

## 6000 SERIES SQUARE BOLT PATTERN

| FLANGE SIZE | ORB | PART NUMBER | A    | B    | C    | D     | E     | F    | G      | K         | MOUNTING KIT® |                |        | WT  |
|-------------|-----|-------------|------|------|------|-------|-------|------|--------|-----------|---------------|----------------|--------|-----|
|             |     |             |      |      |      |       |       |      | J      |           | PART NO.      | SCREW SIZE     | O-RING |     |
| 1/2         | -6  | 1441-08-06  | 2.25 | 1.12 | 1.25 | .719  | 1.438 | .47  | .41    | 9/16-18   | MK 4544       | 3/8-16 x 1 1/4 | 210    | 1.5 |
|             |     | 1442-08-06  |      |      |      |       |       |      | 3/8-16 |           | -----         |                |        |     |
| 1/2         | -8  | 1441-08-08  | 2.25 | 1.12 | 1.25 | .719  | 1.438 | .50  | .41    | 3/4-16    | MK 4544       | 3/8-16 x 1 1/4 | 210    | 1.5 |
|             |     | 1442-08-08  |      |      |      |       |       |      | 3/8-16 |           | -----         |                |        |     |
| 3/4         | -10 | 1441-12-10  | 2.50 | 1.25 | 1.25 | .875  | 1.750 | .62  | .41    | 7/8-14    | MK 1543       | 3/8-16 x 1 1/4 | 214    | 2.2 |
|             |     | 1442-12-10  |      |      |      |       |       |      | 3/8-16 |           | -----         |                |        |     |
| 3/4         | -12 | 1441-12-12  | 2.50 | 1.25 | 1.50 | .875  | 1.750 | .75  | .41    | 1 1/16-12 | MK 1525       | 3/8-16 x 1 1/2 | 214    | 2.1 |
|             |     | 1442-12-12  |      |      |      |       |       |      | 3/8-16 |           | -----         |                |        |     |
| 1           | -14 | 1441-16-14  | 3.00 | 1.50 | 1.50 | 1.000 | 2.000 | .75  | .53    | 1 3/16-12 | MK 5542       | 1/2-13 x 1 1/2 | 219    | 2.9 |
|             |     | 1442-16-14  |      |      |      |       |       |      | 1/2-13 |           | -----         |                |        |     |
| 1           | -16 | 1441-16-16  | 3.00 | 1.50 | 1.50 | 1.000 | 2.000 | 1.00 | .53    | 1 5/16-12 | MK 5542       | 1/2-13 x 1 1/2 | 219    | 2.8 |
|             |     | 1442-16-16  |      |      |      |       |       |      | 1/2-13 |           | -----         |                |        |     |
| 1 1/4       | -16 | 1441-20-16  | 4.00 | 2.00 | 1.50 | 1.375 | 2.750 | 1.20 | .66    | 1 5/16-12 | MK 5556       | 5/8-11 x 1 3/4 | 222    | 5.4 |
|             |     | 1442-20-16  |      |      |      |       |       |      | 5/8-11 |           | -----         |                |        |     |
| 1 1/4       | -20 | 1441-20-20  | 4.00 | 2.00 | 1.50 | 1.375 | 2.750 | 1.25 | .66    | 1 5/8-12  | MK 5556       | 5/8-11 x 1 3/4 | 222    | 5.0 |
|             |     | 1442-20-20  |      |      |      |       |       |      | 5/8-11 |           | -----         |                |        |     |
| 1 1/2       | -24 | 1441-24-24  | 4.00 | 2.00 | 1.75 | 1.375 | 2.750 | 1.50 | .66    | 1 7/8-12  | MK 562        | 5/8-11 x 2     | 225    | 5.8 |
|             |     | 1442-24-24  |      |      |      |       |       |      | 5/8-11 |           | -----         |                |        |     |
| 2           | -24 | 1441-32-24  | 5.00 | 2.50 | 1.75 | 1.750 | 3.500 | 1.75 | .78    | 1 7/8-12  | MK 563        | 3/4-10 x 2     | 228    | 9.0 |
|             |     | 1442-32-24  |      |      |      |       |       |      | 3/4-10 |           | -----         |                |        |     |
| 2           | -32 | 1441-32-32  | 5.00 | 2.50 | 1.75 | 1.750 | 3.500 | 1.94 | .78    | 2 1/2-12  | MK 563        | 3/4-10 x 2     | 228    | 8.7 |
|             |     | 1442-32-32  |      |      |      |       |       |      | 3/4-10 |           | -----         |                |        |     |

① Order Separately

® May Contain Lead

**NOTE:** The pressure rating of the assembly should not exceed the lower of the flange pad or the fitting. Check the fitting manufacturer for details.