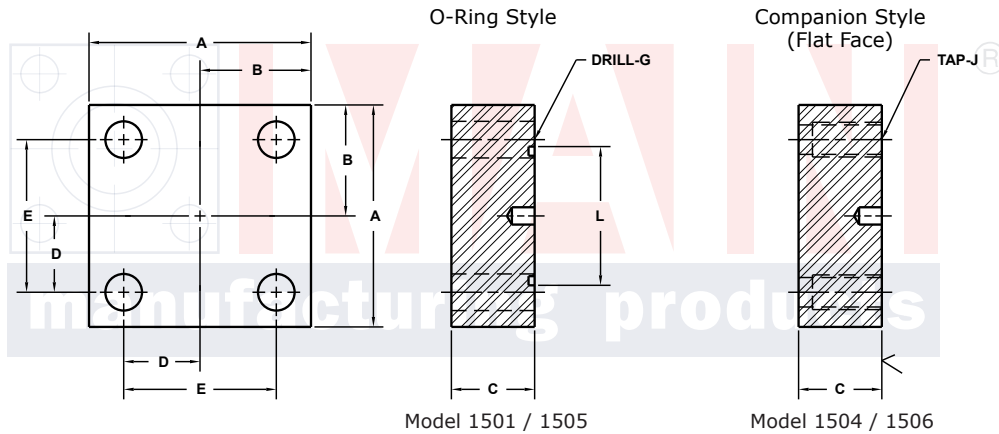


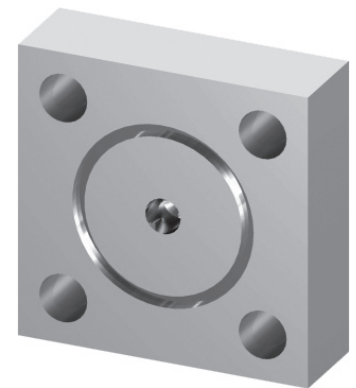
# BLIND FLANGES

For JIS O-Ring®

JIS B 2291 BOLT PATTERN (210K)								TYPE SHA & SHB (TAPPED)					
FLANGE SIZE	PIPE SIZE	PART NUMBER	A	B	C	Emm	E	Gmm		MOUNTING KIT <sup>①</sup>			WT
								Jmm		PART NO.	SCREW SIZE	O-RING	
15	NA	1501-08-00M	2.50	1.25	.87	40.0	1.574	11.0		MKM 4771	M10 x 40	G25	1.5
		1504-08-00M						M10x1.5	-----	---			
20	NA	1501-12-00M	2.75	1.38	.87	45.0	1.772	11.0		MKM 4772	M10 x 40	G30	1.9
		1504-12-00M						M10x1.5	-----	---			
25	NA	1501-16-00M	3.25	1.62	1.10	53.0	2.086	13.0		MKM 4773	M12 x 50	G35	3.2
		1504-16-00M						M12x1.75	-----	---			
32	NA	1501-20-00M	3.50	1.75	1.10	63.0	2.480	13.0		MKM 4774	M12 x 50	G40	3.7
		1504-20-00M						M12x1.75	-----	---			
40	NA	1501-24-00M	4.00	2.00	1.38	70.0	2.756	18.0		MK 4775	M16 x 60	G50	6.0
		1504-24-00M						M16x2	-----	---			
50	NA	1501-32-00M	4.50	2.25	1.38	80.0	3.150	18.0		MKM 4776	M16 x 60	G60	7.6
		1504-32-00M						M16x2	-----	---			
65	NA	1501-40-00M	5.50	2.75	1.75	100.0	3.937	22.0		MKM 4777	M20 x 75	G75	14.3
		1504-40-00M						M20x2.5	-----	---			
80	NA	1501-48-00M	6.25	3.12	1.75	112.0	4.409	24.0		MKM 4778	M22 x 80	G85	18.6
		1504-48-00M						M22x2.5	-----	---			



MATERIAL:  
Low Carbon Steel



3181 TRI-PARK DR. GRAND BLANC, MI 48439 800-521-7918 810-953-1380 FAX 810-953-1385 INFO@MAINMFG.COM

JIS B 2291 BOLT PATTERN (210K)								TYPE SSA & SSB					
FLANGE SIZE	PIPE SIZE	PART NUMBER	A	B	C	Emm	E	Gmm		MOUNTING KIT <sup>①</sup>			WT
								Jmm		PART NO.	SCREW SIZE	O-RING	
15	NA	1505-08-00M	2.25	1.12	.87	36.0	1.417	11.0		MKM 4571	M10 x 40	G25	1.4
		1506-08-00M						M10x1.5	-----	---			
20	NA	1505-12-00M	2.25	1.12	.87	40.0	1.574	11.0		MKM 4572	M10 x 40	G30	1.4
		1506-12-00M						M10x1.5	-----	---			
25	NA	1505-16-00M	2.75	1.38	1.10	48.0	1.890	13.0		MKM 4573	M12 x 50	G35	2.5
		1506-16-00M						M12x1.75	-----	---			
32	NA	1505-20-00M	3.00	1.50	1.10	56.0	2.205	13.0		MKM 4574	M12 x 50	G40	2.7
		1506-20-00M						M12x1.75	-----	---			
40	NA	1505-24-00M	3.75	1.88	1.38	65.0	2.559	18.0		MKM 4575	M16 x 60	G50	5.3
		1506-24-00M						M16x2	-----	---			
50	NA	1505-32-00M	4.00	2.00	1.38	73.0	2.874	18.0		MKM 4576	M16 x 60	G60	6.2
		1506-32-00M						M16x2	-----	---			
65	NA	1505-40-00M	5.00	2.50	1.75	92.0	3.622	22.0		MKM 4577	M20 x 75	G75	11.8
		1506-40-00M						M20x2.5	-----	---			
80	NA	1505-48-00M	5.50	2.75	1.75	103.0	4.055	24.0		MKM 4578	M22 x 80	G85	14.3
		1506-48-00M						M22x2.5	-----	---			

① Order Separately

® Also Available for American O-Ring

NOTE: Dimensions are in Inches Unless Otherwise Noted.

© Copyright MAIN Mfg. 2017