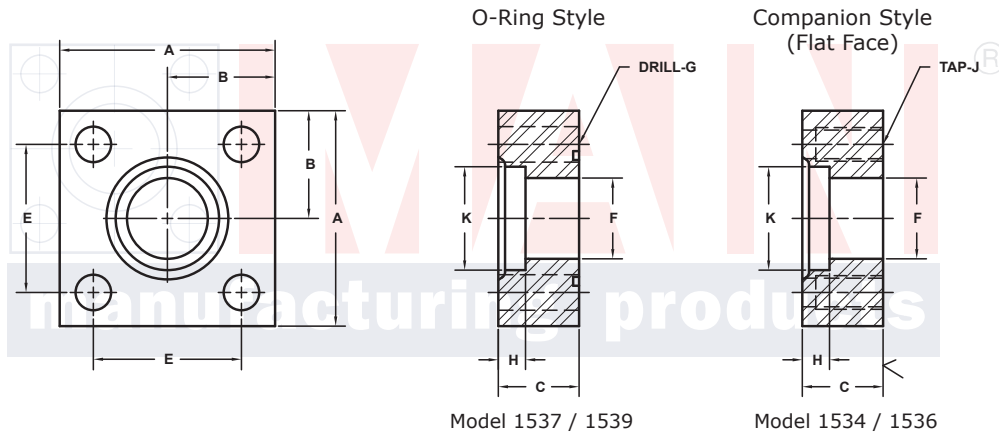


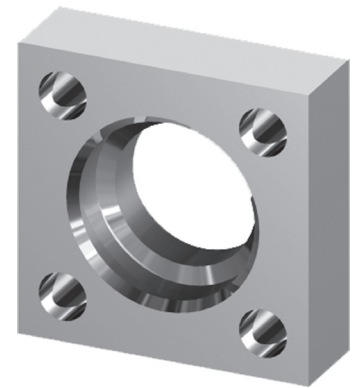
SOCKET WELD PIPE IN-LINE FLANGES

For JIS O-Ring and American Pipe ®

JIS B 2291 BOLT PATTERN (210K)										TYPE SHA & SHB (TAPPED)					
FLANGE SIZE	PIPE SIZE	PART NUMBER	A	B	C	Emm	E	F	Gmm Jmm	H	K	MOUNTING KIT®			WT
												PART NO.	SCREW SIZE	O-RING	
15	1/2	1537-08-08M	2.50	1.25	.87	40.0	1.574	.63	11.0	.50	.860	MKM 4771	M10 x 40	G25	1.3
		1534-08-08M							M10x1.5			---			
20	3/4	1537-12-12M	2.75	1.38	.87	45.0	1.772	.81	11.0	.50	1.070	MKM 4772	M10 x 40	G30	1.5
		1534-12-12M							M10x1.5			---			
25	1	1537-16-16M	3.25	1.62	1.10	53.0	2.086	.98	13.0	.50	1.335	MKM 4773	M12 x 50	G35	2.5
		1534-16-16M							M12x1.75			---			
32	1 1/4	1537-20-20M	3.50	1.75	1.10	63.0	2.480	1.24	13.0	.50	1.680	MKM 4774	M12 x 50	G40	2.9
		1534-20-20M							M12x1.75			---			
40	1 1/2	1537-24-24M	4.00	2.00	1.38	70.0	2.756	1.48	18.0	.62	1.920	MK 4775	M16 x 60	G50	4.7
		1534-24-24M							M16x2			---			
50	2	1537-32-32M	4.50	2.25	1.38	80.0	3.150	1.87	18.0	.62	2.411	MKM 4776	M16 x 60	G60	5.7
		1534-32-32M							M16x2			---			
65	2 1/2	1537-40-40M	5.50	2.75	1.75	100.0	3.937	2.36	22.0	.75	2.911	MKM 4777	M20 x 75	G75	10.4
		1534-40-40M							M20x2.5			---			
80	3	1537-48-48M	6.25	3.12	1.75	112.0	4.409	2.80	24.0	.75	3.540	MKM 4778	M22 x 80	G85	13.0
		1534-48-48M							M22x2.5			---			



MATERIAL:
Low Carbon Steel



3181 TRI-PARK DR. GRAND BLANC, MI 48439 800-521-7918 810-953-1380 FAX 810-953-1385 INFO@MAINMFG.COM

JIS B 2291 BOLT PATTERN (210K)										TYPE SSA & SSB					
FLANGE SIZE	PIPE SIZE	PART NUMBER	A	B	C	Emm	E	F	Gmm Jmm	H	K	MOUNTING KIT®			WT
												PART NO.	SCREW SIZE	O-RING	
15	1/2	1539-08-08M	2.25	1.12	.87	36.0	1.417	.63	11.0	.50	.860	MKM 4571	M10 x 40	G25	1.0
		1536-08-08M							M10x1.5			---			
20	3/4	1539-12-12M	2.25	1.12	.87	40.0	1.574	.81	11.0	.50	1.070	MKM 4572	M10 x 40	G30	.9
		1536-12-12M							M10x1.5			---			
25	1	1539-16-16M	2.75	1.38	1.10	48.0	1.890	.98	13.0	.50	1.335	MKM 4573	M12 x 50	G35	1.7
		1536-16-16M							M12x1.75			---			
32	1 1/4	1539-20-20M	3.00	1.50	1.10	56.0	2.205	1.24	13.0	.50	1.680	MKM 4574	M12 x 50	G40	1.4
		1536-20-20M							M12x1.75			---			
40	1 1/2	1539-24-24M	3.75	1.88	1.38	65.0	2.559	1.48	18.0	.62	1.920	MKM 4575	M16 x 60	G50	3.9
		1536-24-24M							M16x2			---			
50	2	1539-32-32M	4.00	2.00	1.38	73.0	2.874	1.87	18.0	.62	2.411	MKM 4576	M16 x 60	G60	4.3
		1536-32-32M							M16x2			---			
65	2 1/2	1539-40-40M	5.00	2.50	1.75	92.0	3.622	2.36	22.0	.75	2.911	MKM 4577	M20 x 75	G75	8.6
		1536-40-40M							M20x2.5			---			
80	3	1539-48-48M	5.50	2.75	1.75	103.0	4.055	2.80	24.0	.75	3.540	MKM 4578	M22 x 80	G85	9.5
		1536-48-48M							M22x2.5			---			

① Order Separately

® Also Available for JIS O-Ring and JIS Pipe or American O-Ring and American Pipe

NOTE: Dimensions are in Inches Unless Otherwise Noted.

© Copyright MAIN Mfg. 2017