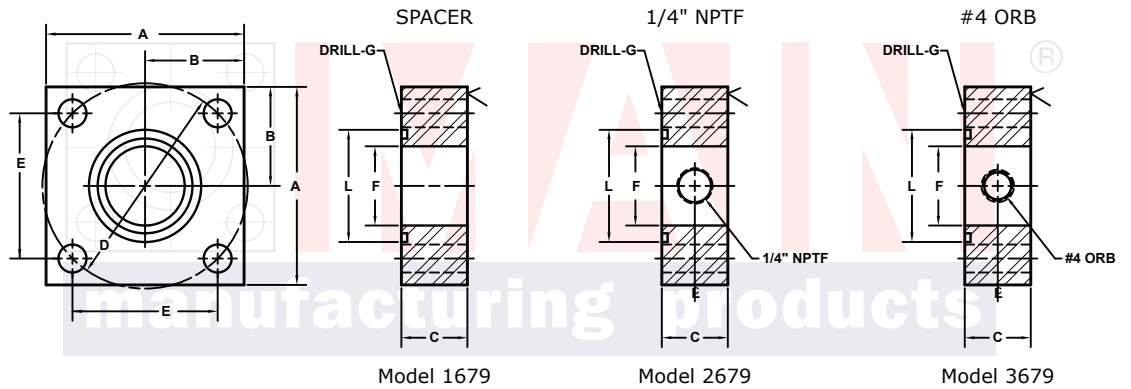
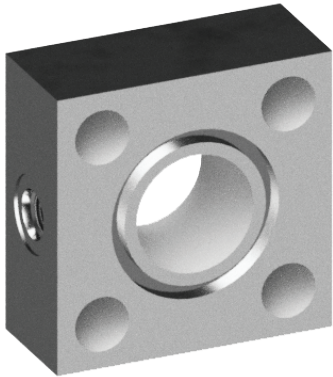


SPACERS AND GAUGE PORT ADAPTERS

1/4" GAUGE PORTS

MATERIAL:
Low Carbon Steel[®]



3181 TRI-PARK DR. GRAND BLANC, MI 48439 800-521-7918 810-953-1380 FAX 810-953-1385 INFO@MAINMFG.COM

ISO 6164 400 BAR PATTERN

FLANGE SIZE	PART NUMBER	A	B	C	Dmm	E	F	Gmm	L	O-RING [®]	WT
19	1679-12-12M	2.00	1.00	1.18	50	1.392	.75	9.0	1.250	214	1.0
	2679-12-12M										
	3679-12-12M										
25	1679-16-16M	2.50	1.25	1.18	62	1.726	1.00	11.0	1.562	219	1.6
	2679-16-16M										
	3679-16-16M										
32	1679-20-20M	3.00	1.50	1.18	73	2.032	1.25	13.5	1.750	222	2.2
	2679-20-20M										
	3679-20-20M										
38	1679-24-24M	3.50	1.75	1.18	85	2.366	1.50	17.5	2.125	225	2.9
	2679-24-24M										
	3679-24-24M										
51	1679-32-32M	4.00	2.00	1.38	98	2.728	1.69	17.5	2.625	331	4.6
	2679-32-32M										
	3679-32-32M										
56	1679-40-40M	4.75	2.38	1.58	118	3.285	2.12	22.0	3.125	335	7.3
	2679-40-40M										
	3679-40-40M										
63	1679-48-48M	6.00	3.00	1.58	145	4.037	2.32	26.0	3.375	337	12.5
	2679-48-48M										
	3679-48-48M										
70	1679-56-56M	6.50	3.25	1.58	160	4.454	2.73	26.0	3.750	340	14.6
	2679-56-56M										
	3679-56-56M										
80	1679-64-64M	7.00	3.50	1.58	175	4.872	3.15	33.0	3.875	341	15.8
	2679-64-64M										
	3679-64-64M										

① Includes Buna-N O-Ring

⑤ May Contain Lead

NOTE: DIMENSIONS ARE IN INCHES UNLESS OTHERWISE NOTED.