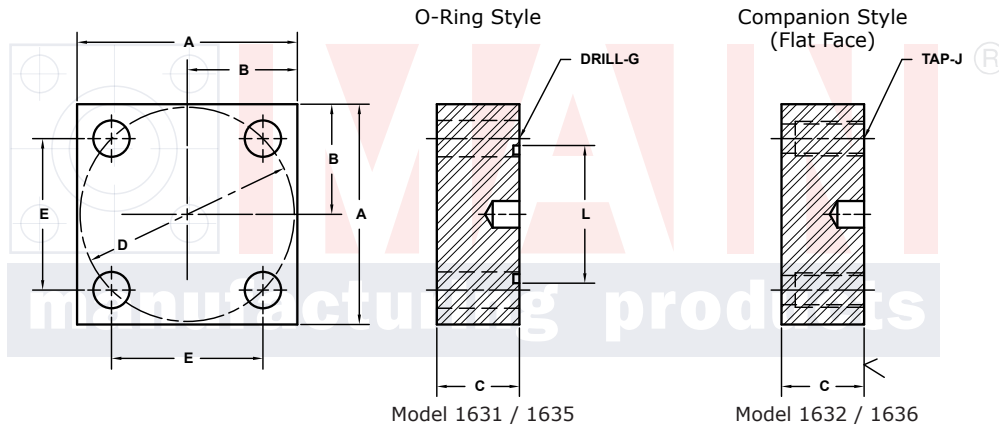
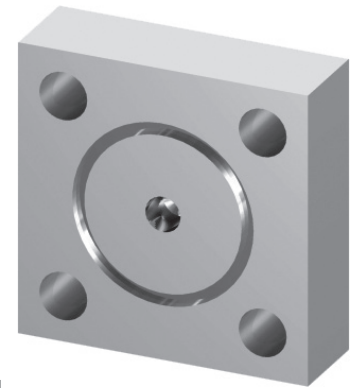


BLIND FLANGES

ISO 6164 BOLT PATTERN										250 BAR SERIES				WT																						
FLANGE SIZE	PIPE SIZE	PART NUMBER	A	B	C	Dmm	E	Gmm	Jmm	MOUNTING KIT ^①																										
										PART NO.	SCREW SIZE	O-RING																								
10	NA	1631-06-00M	4.00	2.00	1.60	98	2.728	17.5	M16x2	MKM 3531	M16 x 65	228	7.0																							
		1632-06-00M								-----	-----	---																								
13	NA	1631-08-00M								4.75	2.38	1.88		118	3.285	22.0	M20x2.5	MKM 5573	M20 x 80	232	11.5															
		1632-08-00M																-----	-----	---																
19	NA	1631-12-00M																5.50	2.75	2.28		145	4.037	22.0	M20x2.5	MKM 5558	M20 x 90	237	19.0							
		1632-12-00M																								-----	-----	---								
25	NA	1631-16-00M																								PLEASE USE THE 400 BAR SERIES FOUND BELOW. THE BLOCK SIZE, BOLT PATTERN AND THE O-RING ARE IDENTICAL IN FLANGE SIZES 10 - 38. IF YOU HAVE ANY QUESTIONS PLEASE CALL ENGINEERING AT 1-800-521-7918.										
		1632-16-00M																																		
32	NA	1631-20-00M																																		
		1632-20-00M																																		
38	NA	1631-24-00M																																		
		1632-24-00M																																		
51	NA	1631-32-00M																																		
		1632-32-00M																																		
56	NA	1631-40-00M																																		
		1632-40-00M																																		
63	NA	1631-48-00M																																		
		1632-48-00M																																		



MATERIAL:
Low Carbon Steel



3181 TRI-PARK DR. GRAND BLANC, MI 48439 800-521-7918 810-953-1380 FAX 810-953-1385 INFO@MAINMFG.COM

ISO 6164 BOLT PATTERN										400 BAR SERIES				WT
FLANGE SIZE	PIPE SIZE	PART NUMBER	A	B	C	Dmm	E	Gmm	Jmm	MOUNTING KIT ^①				
										PART NO.	SCREW SIZE	O-RING		
10	NA	1635-06-00M	1.50	.75	.73	35	.974	6.5	M6x1	MKM 5546	M6 x 30	115	.5	
		1636-06-00M								-----	-----	---		
13	NA	1635-08-00M	1.75	.88	.81	42	1.170	9.0	M8x1.25	MKM 512	M8 x 35	210	.7	
		1636-08-00M								-----	-----	---		
19	NA	1635-12-00M	2.00	1.00	.90	50	1.392	9.0	M8x1.25	MKM 5559	M8 x 35	214	1.2	
		1636-12-00M								-----	-----	---		
25	NA	1635-16-00M	2.50	1.25	1.00	62	1.726	11.0	M10x1.5	MKM 503	M10 x 40	219	2.0	
		1636-16-00M								-----	-----	---		
32	NA	1635-20-00M	3.00	1.50	1.20	73	2.032	13.5	M12x1.75	MKM 1502	M12 x 50	222	3.2	
		1636-20-00M								-----	-----	---		
38	NA	1635-24-00M	3.50	1.75	1.44	85	2.366	17.5	M16x2	MKM 515	M16 x 60	225	5.0	
		1636-24-00M								-----	-----	---		
51	NA	1635-32-00M	4.00	2.00	1.60	98	2.728	17.5	M16x2	MKM 5560	M16 x 65	331	7.0	
		1636-32-00M								-----	-----	---		
56	NA	1635-40-00M	4.75	2.38	1.98	118	3.285	22.0	M20x2.5	MKM 5538	M20 x 80	335	12.0	
		1636-40-00M								-----	-----	---		
63	NA	1635-48-00M	6.00	3.00	2.12	145	4.037	26.0	M24x3	MKM 5561	M24 x 90	337	20.5	
		1636-48-00M								-----	-----	---		
70	NA	1635-56-00M	6.50	3.25	2.46	160	4.454	26.0	M24x3	MKM 5562	M24 x 100	340	28.3	
		1636-56-00M								-----	-----	---		
80	NA	1635-64-00M	7.00	3.50	2.85	175	4.872	33.0	M30x3.5	MKM 5563	M30 x 120	341	37.0	
		1636-64-00M								-----	-----	---		

① Order Separately

NOTE: Dimensions are in Inches Unless Otherwise Noted.

© Copyright MAIN Mfg. 2017