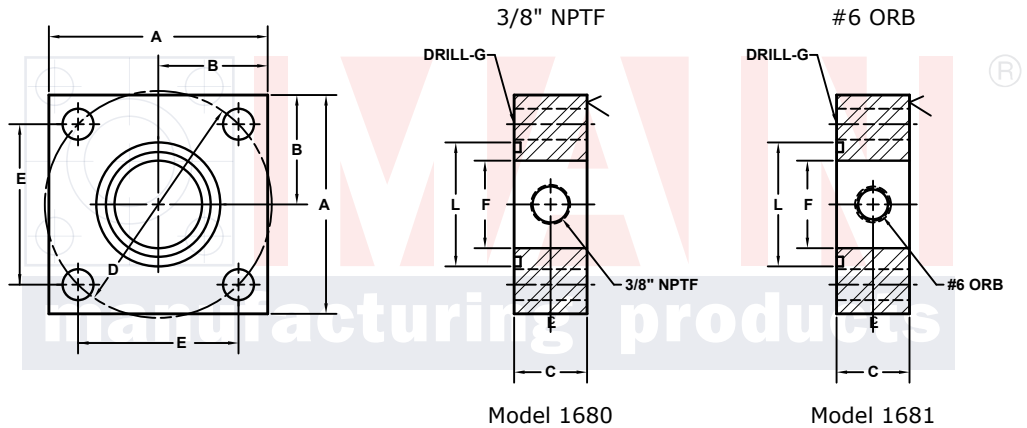
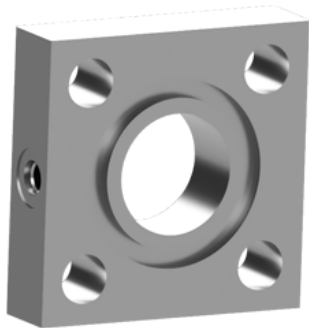


GAUGE PORT ADAPTERS

3/8" GAUGE PORTS

ISO 6164 BOLT PATTERN			400 BAR SERIES									
FLANGE SIZE	PART NUMBER	A	B	C	Dmm	E	F	Gmm	L	O-RING ^①	WT	
19	3/4	1680-12-12M	2.00	1.00	1.18	50	1.392	.75	9.0	1.250	214	1.0
25	1	1680-16-16M	2.50	1.25	1.18	62	1.726	1.00	11.0	1.562	219	1.6
32	1 1/4	1680-20-20M	3.00	1.50	1.18	73	2.032	1.25	13.5	1.750	222	2.2
38	1 1/2	1680-24-24M	3.50	1.75	1.18	85	2.366	1.50	17.5	2.125	225	2.9
51	2	1680-32-32M	4.00	2.00	1.38	98	2.728	1.69	17.5	2.625	331	4.6
56	2 1/2	1680-40-40M	4.75	2.38	1.58	118	3.285	2.12	22.0	3.125	335	7.3
63	3	1680-48-48M	6.00	3.00	1.58	145	4.037	2.32	26.0	3.375	337	12.5
70	3 1/2	1680-56-56M	6.50	3.25	1.58	160	4.454	2.73	26.0	3.750	340	14.6
80	4	1680-64-64M	7.00	3.50	1.58	175	4.872	3.15	33.0	3.875	341	15.8

MATERIAL:
Low Carbon Steel



3181 TRI-PARK DR. GRAND BLANC, MI 48439 800-521-7918 810-953-1380 FAX 810-953-1385 INFO@MAINMFG.COM

ISO 6164 BOLT PATTERN			400 BAR SERIES									
FLANGE SIZE	PART NUMBER	A	B	C	Dmm	E	F	Gmm	L	O-RING ^①	WT	
19	3/4	1681-12-12M	2.00	1.00	1.18	50	1.392	.75	9.0	1.250	214	1.0
25	1	1681-16-16M	2.50	1.25	1.18	62	1.726	1.00	11.0	1.562	219	1.6
32	1 1/4	1681-20-20M	3.00	1.50	1.18	73	2.032	1.25	13.5	1.750	222	2.2
38	1 1/2	1681-24-24M	3.50	1.75	1.18	85	2.366	1.50	17.5	2.125	225	2.9
51	2	1681-32-32M	4.00	2.00	1.38	98	2.728	1.69	17.5	2.625	331	4.6
56	2 1/2	1681-40-40M	4.75	2.38	1.58	118	3.285	2.12	22.0	3.125	335	7.3
63	3	1681-48-48M	6.00	3.00	1.58	145	4.037	2.32	26.0	3.375	337	12.5
70	3 1/2	1681-56-56M	6.50	3.25	1.58	160	4.454	2.73	26.0	3.750	340	14.6
80	4	1681-64-64M	7.00	3.50	1.58	175	4.872	3.15	33.0	3.875	341	15.8

① Includes Buna-N O-Ring

NOTE: Dimensions are in Inches Unless Otherwise Noted.