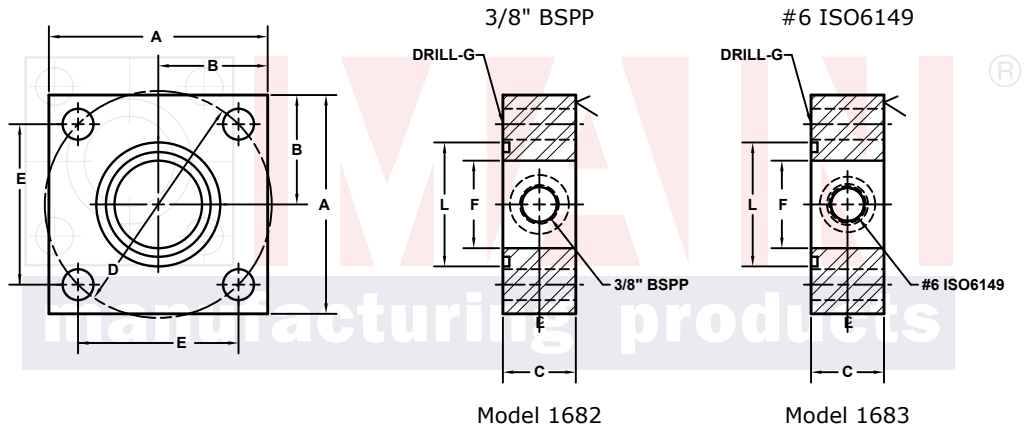
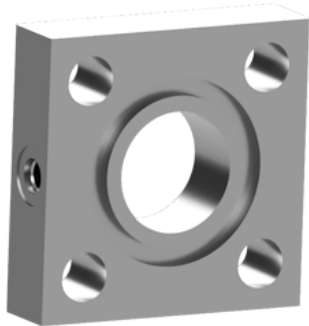


GAUGE PORT ADAPTERS

3/8" GAUGE PORTS

| ISO 6164 BOLT PATTERN | | | 400 BAR SERIES | | | | | | | | | |
|-----------------------|-------------|-------------|----------------|------|------|-----|-------|------|------|---------------------|-----|------|
| FLANGE SIZE | PART NUMBER | A | B | C | Dmm | E | F | Gmm | L | O-RING ^① | WT | |
| 19 | 3/4 | 1682-12-12M | 2.00 | 1.00 | 1.18 | 50 | 1.392 | .75 | 9.0 | 1.250 | 214 | 1.0 |
| 25 | 1 | 1682-16-16M | 2.50 | 1.25 | 1.18 | 62 | 1.726 | 1.00 | 11.0 | 1.562 | 219 | 1.6 |
| 32 | 1 1/4 | 1682-20-20M | 3.00 | 1.50 | 1.18 | 73 | 2.032 | 1.25 | 13.5 | 1.750 | 222 | 2.2 |
| 38 | 1 1/2 | 1682-24-24M | 3.50 | 1.75 | 1.18 | 85 | 2.366 | 1.50 | 17.5 | 2.125 | 225 | 2.9 |
| 51 | 2 | 1682-32-32M | 4.00 | 2.00 | 1.38 | 98 | 2.728 | 1.69 | 17.5 | 2.625 | 331 | 4.6 |
| 56 | 2 1/2 | 1682-40-40M | 4.75 | 2.38 | 1.58 | 118 | 3.285 | 2.12 | 22.0 | 3.125 | 335 | 7.3 |
| 63 | 3 | 1682-48-48M | 6.00 | 3.00 | 1.58 | 145 | 4.037 | 2.32 | 26.0 | 3.375 | 337 | 12.5 |
| 70 | 3 1/2 | 1682-56-56M | 6.50 | 3.25 | 1.58 | 160 | 4.454 | 2.73 | 26.0 | 3.750 | 340 | 14.6 |
| 80 | 4 | 1682-64-64M | 7.00 | 3.50 | 1.58 | 175 | 4.872 | 3.15 | 33.0 | 3.875 | 341 | 15.8 |

MATERIAL:
Low Carbon Steel



3181 TRI-PARK DR. GRAND BLANC, MI 48439 800-521-7918 810-953-1380 FAX 810-953-1385 INFO@MAINMFG.COM

| ISO 6164 BOLT PATTERN | | | 400 BAR SERIES | | | | | | | | | |
|-----------------------|-------------|-------------|----------------|------|------|-----|-------|------|------|---------------------|-----|------|
| FLANGE SIZE | PART NUMBER | A | B | C | Dmm | E | F | Gmm | L | O-RING ^① | WT | |
| 19 | 3/4 | 1683-12-12M | 2.00 | 1.00 | 1.18 | 50 | 1.392 | .75 | 9.0 | 1.250 | 214 | 1.0 |
| 25 | 1 | 1683-16-16M | 2.50 | 1.25 | 1.18 | 62 | 1.726 | 1.00 | 11.0 | 1.562 | 219 | 1.6 |
| 32 | 1 1/4 | 1683-20-20M | 3.00 | 1.50 | 1.18 | 73 | 2.032 | 1.25 | 13.5 | 1.750 | 222 | 2.2 |
| 38 | 1 1/2 | 1683-24-24M | 3.50 | 1.75 | 1.18 | 85 | 2.366 | 1.50 | 17.5 | 2.125 | 225 | 2.9 |
| 51 | 2 | 1683-32-32M | 4.00 | 2.00 | 1.38 | 98 | 2.728 | 1.69 | 17.5 | 2.625 | 331 | 4.6 |
| 56 | 2 1/2 | 1683-40-40M | 4.75 | 2.38 | 1.58 | 118 | 3.285 | 2.12 | 22.0 | 3.125 | 335 | 7.3 |
| 63 | 3 | 1683-48-48M | 6.00 | 3.00 | 1.58 | 145 | 4.037 | 2.32 | 26.0 | 3.375 | 337 | 12.5 |
| 70 | 3 1/2 | 1683-56-56M | 6.50 | 3.25 | 1.58 | 160 | 4.454 | 2.73 | 26.0 | 3.750 | 340 | 14.6 |
| 80 | 4 | 1683-64-64M | 7.00 | 3.50 | 1.58 | 175 | 4.872 | 3.15 | 33.0 | 3.875 | 341 | 15.8 |

① Includes Buna-N O-Ring

NOTE: Dimensions are in Inches Unless Otherwise Noted.